

TAIJI TOWEL WARMER

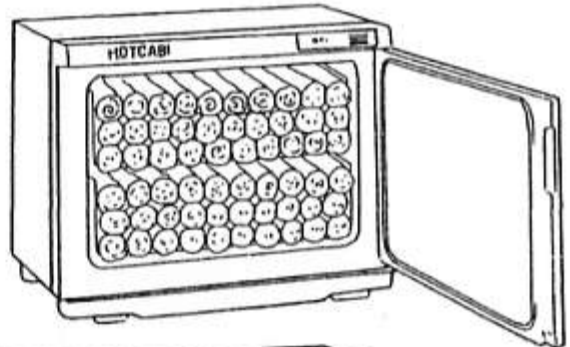
HOTCABI

INSTRUCTION MANUAL

WIDE FRONTAGE, AND BIG SPACE, EASY CHANGE OF TOWELS.

SIDE OPENING VIEW

HC-10S
HC-18S
HC-38
HC-38UV (with sterilizing lamp)

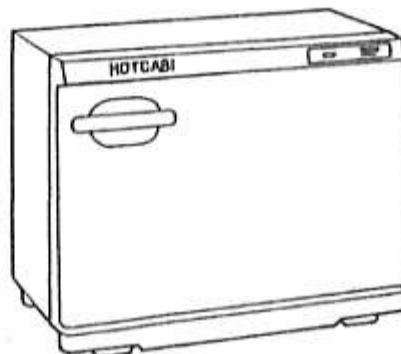


FRONT OPENING VIEW

HC-10F
HC-18F
HC-10UV (with sterilizing lamp)



DOOR CLOSED VIEW



HOSPITALITY PRODUCTS

Congratulations on your purchase of "TAIJI HOTCABI" towel warmer waterless steamer.

This cabinet is designed to keep pre-moistened towels at a constant temperature with no mess and no fuss.

We appreciate your patronage and hope that by following the simple instruction outlined in booklet you will enjoy years of uninterrupted service with the HOTCABI.

The electrical towel warmer "TAIJI HOTCABI" in-house use, not out-door type and purposes to make "OSHIBORI" towel hot to wipe hands or face mainly.

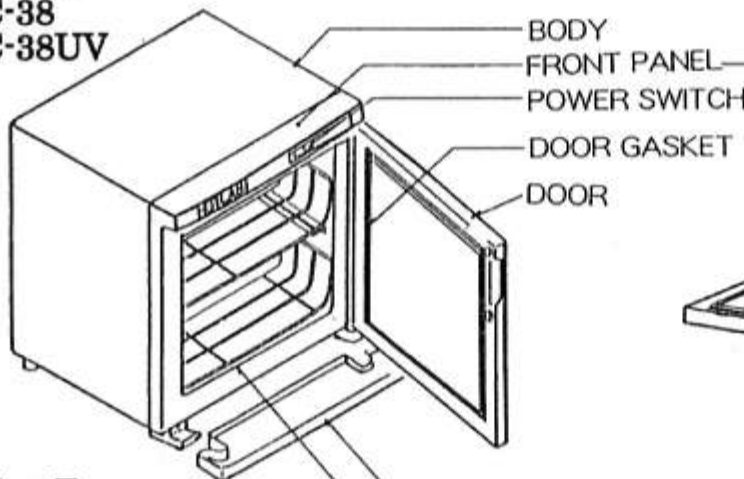
The unit should not be applied to other purpose than this

OPERATIONAL MECHANISM

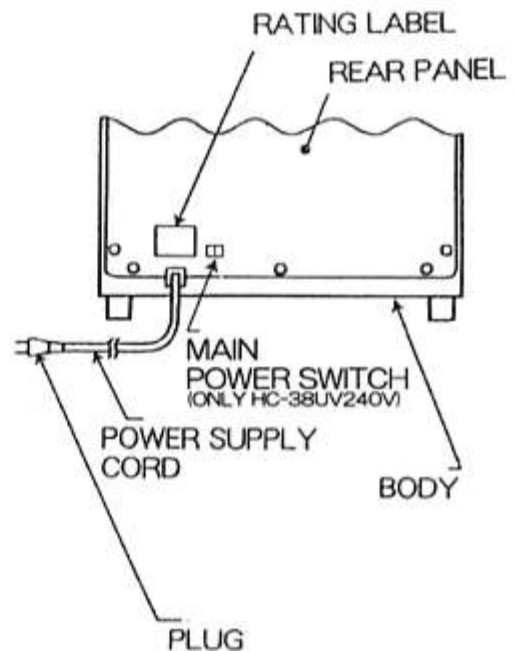
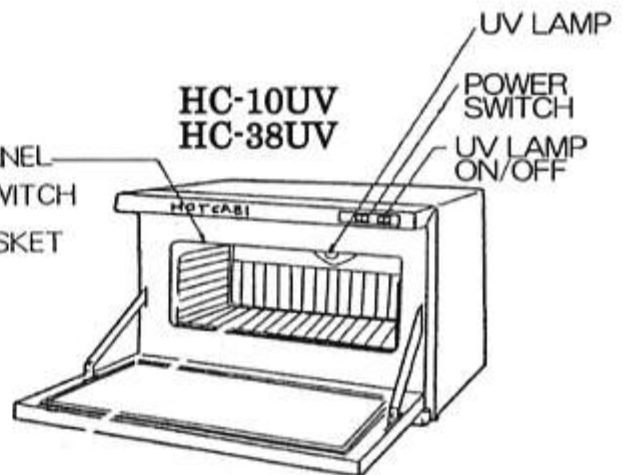
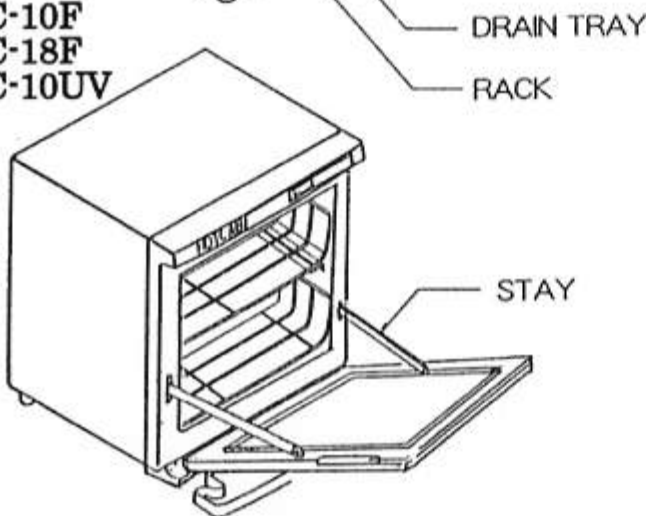
The cabinet has a heating element built in. The temperature of the unit shall be controlled by thermostat function to keep approx. 70-80°C at a constant.

DIRECTION

HC-10S
HC-18S
HC-38
HC-38UV



HC-10F
HC-18F
HC-10UV



SAFETY PRECAUTIONS

WARNING towels, steam, trays and inside surfaces of appliance are hot and can be dangerous. Pay extreme caution when reloading or removing hot towels or trays from the appliance. Always use protective gloves when handling hot towels. Careless or inattentive handling can result in burns or other serious injury.

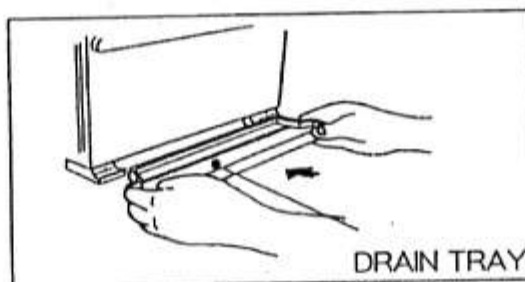
Please read all instructions and warning carefully before using this appliance. This appliance is not a toy.

The appliance should not be used by children and hot towels and components should be kept away from them at all times. Don't allow others to use this appliance unless they have first read and understood the instructions and warning.

Unplug the appliance when not in use and when cleaning. Be sure that switch is in "OFF" position plugging or unplugging cord.

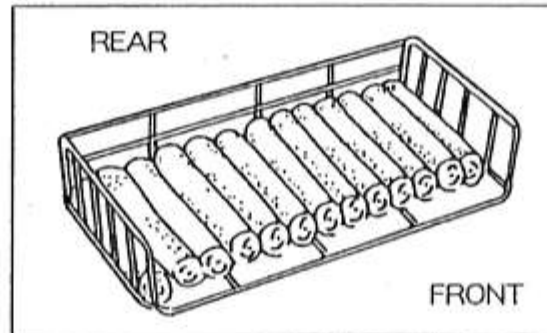
INSTALLATION

1. Place unit horizontally on a flat, stable surface away from excessive heat, humidity and vibration.
2. Set the removable drain tray into its slot below the cabinet door.
3. Plug into standard power supply.
4. Remove rack from carton and place in grooves along inner sides of the cabinet.
Fill unit with "OSHIBORI TOWEL" to be warmed.
5. Push switch located on upper front of cabinet to "ON" position.
**When the temperature inside the unit reaches the upper limits of the set temperature range, the thermostat will automatically shut itself off until the inside temperature drops at which time it will turn the heating element back on.
The light beside the switch indicates when the heating function is engaged.
6. Insert a drain tray horizontally by holding the both side as per figure illustrated, to the end stop.



OPERATION

1. Make sure of power switch positioned "OFF".
2. Plug the unit cord into wall consent.
3. Open door and put racks inside.
4. Put towels on the racks and stay the racks loaded inside the cabinet.
Note: towels should not be in touch to the cabinet ceiling.



5. Close door.
6. Put power switch "ON" and the light indicates normal operation.

AFTER OPERATION

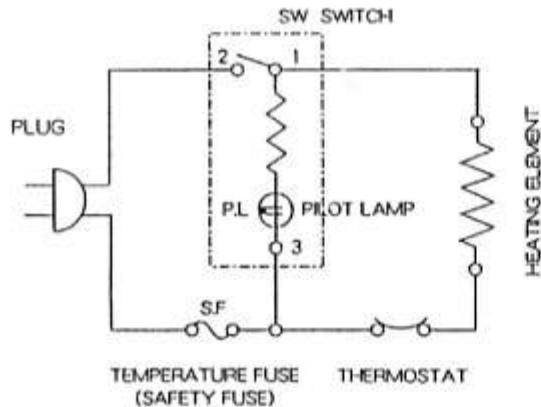
1. Make power switch "OFF" position.
2. Unplug from the wall consent.
3. Take out all towels left inside after cooled down, and wipe dew humidity.
4. Give away water stored in the drain train.
5. Keep door opened a bit.

Note: please refer to "REGULAR MAINTENANCE"

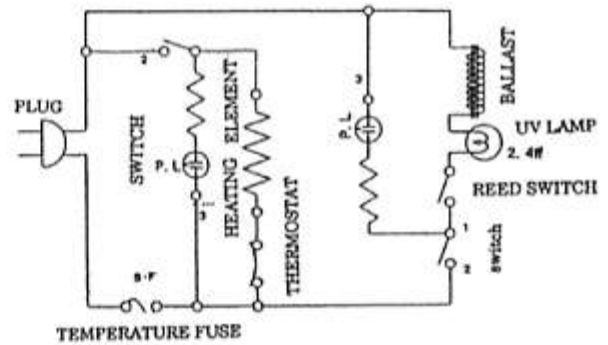
REGULAR MAINTENANCE

1. Be certain that switch is in "OFF" position when plugging or unplugging cord.
2. Unplug the cord when not in use and when cleaning.
3. Remove excessive water from drain tray as necessary.
4. Clean cabinet exterior using a dry cloth or damp cloth with mild detergent.
5. Do not use cleansers containing thinners, benzene, or abrasives.
6. For periods of disuse exceeding three days, wipe the inside of cabinet thoroughly and leave door ajar to allow it to dry completely.

CIRCUIT DIAGRAM



HC-18S/F & HC-10S/F
& HC-38



HC-10UV

SPECIFICATIONS

Model/Rating	HC-18S/F Side opening HC-18S/F Front opening	HC-10S/F Side opening HC-10S/F Front opening HC-10UV Front opening (Ultra-violet lamp built in)
Power supply	110-120V or 220-240V	
Power consumption	200W	130W or 120W
Temperature control	Bi-metal thermostat	
Inner temperature	70~80°C	
Safety device	Temp. Fuse	
Outer dimension	W450mm × D275mm × H355mm	W350mm × D275mm × H290mm
Inner dimension	W374mm × D195mm × H250mm	W274mm × D195mm × H185mm
Capacity	18L(oshibori towel 80~96pcs)	10L(oshibori towel 45~54pcs)
Weight	6.5kg	5.5kg
Accessory	Rack × 2 Drain tray × 1	Rack × 1 Drain tray × 1

Model/Rating	HC-38/UV Side opening
Power supply	110-120V or 220-240V
Power consumption	420W or 400W
Temperature control	Bi-metal thermostat
Inner temperature	70~80°C
Safety device	Temp. Fuse
Outer dimension	W450mm × D410mm × H450mm
Inner dimension	W360mm × D316.5mm × H345mm
Capacity	38L(oshibori towel 150~200pcs)
Weight	12kg
Accessory	Rack × 3 Drain tray × 1