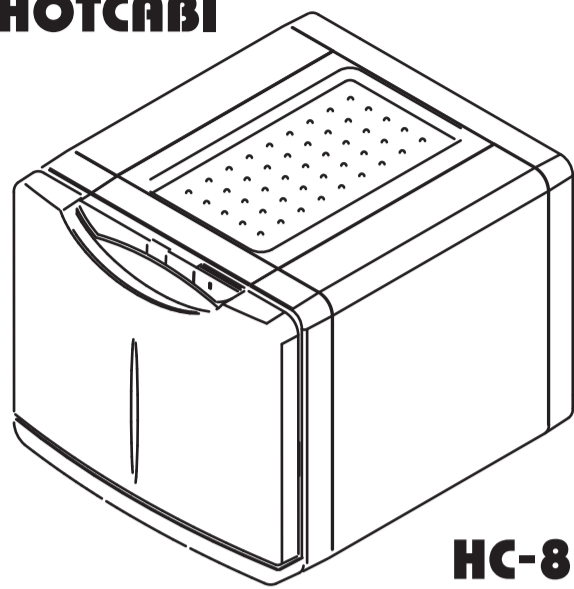


TAIJI "HOTCABI" Model HC-8

HOTCABI

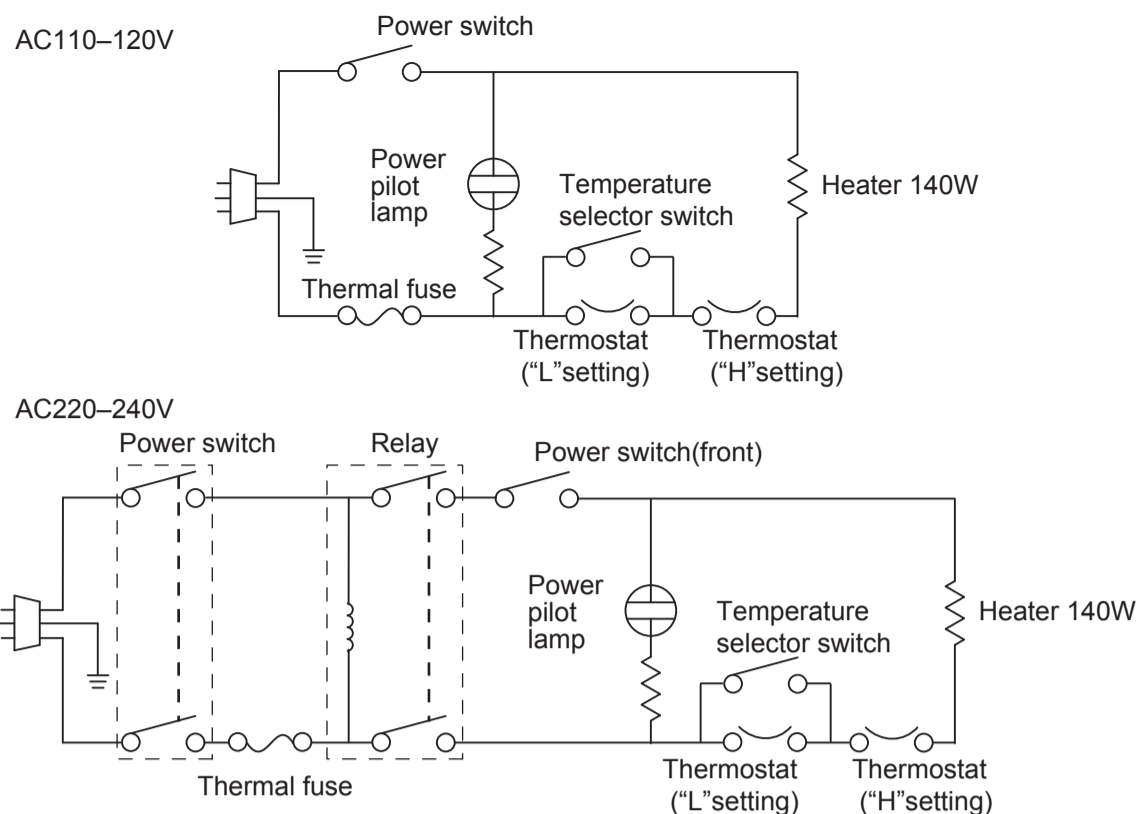


HC-8

Thank you very much for purchasing our "HOTCABI."

To use the product correctly and safely, please carefully read and fully understand the contents of this Instruction Manual prior to use.

Circuit Diagram



Product Specifications and Circuit Diagram

Model	HC-8
Rated voltage	Single-phase 110V-120V 50/60Hz, 220V-240V 50/60Hz
Power consumption	140W
Safety device	Thermal fuse
Cabinet temperature	L: 60-70°C, H: 70-80°C (when ambient temperature is 25°C)
Cabinet dimensions	W300mm x D340mm x H261mm
Inner box dimensions	W227mm x D233mm x H152mm
Cabinet capacity	8 liters
Weight	4.5 kg
Accessories	Basket, drain tray

* The specifications or appearance are subject to change without notice.

1

(0705A)

2

After-Purchase Servicing

For after sales service, call the store where you have purchased your towel warmer, or nearest TAIJI sales representative or TAIJI & CO., LTD. in Japan.

TAIJI & CO., LTD.

8-2, Okawa-cho, Kawasaki-ku, Kawasaki-shi, Kanagawa, 210-0858 Japan
 TEL:+81-44-329-6338, FAX:+81-44-326-5860
 E-mail:overseas@taiji.co.jp
 URL:http://www.taiji.co.jp/

Safety Precautions

- Please peruse these "Safety Precautions" carefully so that you can use your "HOTCABI" in the proper way.
- Please keep these "Safety Precautions" handy for future reference after being read.
- Precautionary measures referred to herein are matters which should be abided by for safe use and to prevent harm and/or damage being inflicted on yourself or others. Furthermore, the particulars of the precautionary measures have been classified into "Warning" and "Caution" to express the degree or extent of conceivable harm and damage which can be assumed to occur from mishandling. They are both of importance as far as safety is concerned and should be strictly abided by.

	WARNING What is assumed to possibly result in death or serious injury.
	CAUTION What is assumed to possibly result only in bodily injury or physical damage.

- What precautionary measures should be abided by are expressed by certain marks and explained as follows:

	△ mark denotes that "Warning and caution is urged." (The one on the left indicates beware of electrical shock.)
	⊘ mark with a diagonal line means "Forbidden." (The one on the left indicates disassembling forbidden.)
	● indicates "Instructions" which should be followed by all means. (The one on the left indicates grounding is a requirement.)

WARNING

	(1) To be set upon a stable and flat location and not to be moved while plug is connected to power source. Could result in abnormal performance.
	(2) Absolutely should not be disassembled, repaired, or modified by anyone other than a repair technician. Could result in ignition or abnormal performance.
	(3) Ensure grounding is connected. - If the power outlet does not have an earth terminal, have one installed by an electrician or the distributor. Imperfect grounding could lead to electric shock. - Do not connect to gas line or water pipe.
	(4) Do not immerse in or douse with water. Such could result in electric shock or short-circuit.
	(5) Periodically confirm that the plug contacts are kept clean and that they are firmly inserted in the power outlet. Dust accumulation or imperfect contact could be the cause of an electric shock or fire.

3












WARNING

	(6) Handle the power cord with care. In case the power cord is processed, pulled, bundled, or a heavy item is placed upon or squeezes it, the cord is apt to be damaged and could cause an electric shock or fire. The power cord should not come into contact with a heat source.
	(7) Ensure power source is from dedicated outlet of at least 15A. Using branch sockets could be the cause of abnormal heat, fire, etc.
	(8) Do not intentionally bend plug contacts to prevent the plug from dropping out of the electric outlet. Imperfect contact could be the cause of fire.
	(9) In the event of abnormal odor or sound, emission of smoke, or in case water or a foreign substance should enter the cabinet, switch off the unit immediately and remove the plug from the electric outlet. Such could possibly lead to an electric shock and outbreak of fire.
	(10) Do not touch or manipulate electrical parts such as the plug, power source switch, etc. with wet hands. It could be the cause of an electric shock.
	(11) Do not use outdoors. Using "HOTCABI" where there is rainfall could cause electric leakage and/or electric shock.
	(12) Discarding of "HOTCABI" should be requested of specialized contractor, public agency, or the distributor from where the product was purchased. (A disposal fee is usually charged.) Discarding it at random could result in third party remodeling, using it for purposes other than as designed, which could result in an unexpected accident.
	(13) Do not have children alone use "HOTCABI" and take care to place it out of reach of infants. They could suffer from an electric shock or other injuries.

CAUTION

	(1) Hold the plug and not the cord when removing the plug from the electric outlet. Not doing so could result in an electric shock or ignition.
	(2) Do not drop "HOTCABI" or inflict severe shock to it. It could result in failure or fire.
	(3) Discard immediately the polyethylene bag the "HOTCABI" was packed inside. Keep it out of children's reach to prevent incidents of suffocation.

4

⚠ CAUTION	
 Removing plug	(4) Remove the plug from the electric outlet as soon as thunder is heard. In the event of a nearby lightning strike, abnormal current/abnormal voltage could infiltrate through the power source line, etc. and possibly damage the product.
 When not in use	(5) Switch off and remove the plug from electric outlet when not in use. If you do not, it could be the cause of an electric shock, electric leakage fire, etc.
 Forbidden	(6) Do not use when the power cord or plug is damaged or when the electric outlet is loose. Using under such conditions could cause an electric shock, short-circuit, ignition, etc.
 Forbidden	(7) Do not place heavy items or water containers on top of "HOTCABI." Such could cause damage, injury, short-circuit, electric shock, corrosion, failure, etc.
 Forbidden	(8) Do not place heavy items on "HOTCABI" or place one's weight on it with its door open. Such could be the cause of damage or toppling.
 Caution! High temperatures	(9) To avoid burns, do not touch the surface of the inner cabinet when the unit is heated. Use caution when taking out or placing towels in the inner box when it is switched on.
 Use individually wrapped towels	(10) Use towels which come in polyethylene wrapper. Towels sometimes get dry or discolor if not polyethylene pouched. When using towels from home (as opposed to those provided by special suppliers), wring them out rather tightly (to some two and a half times the dry weight), place them in a polyethylene wrapper and seal the wrapped towels for use. However, despite being wrapped, towels left inside the inner box for longer periods may become towels dry or discolor.
 Use heat resisting polyethylene wrapper	(11) Use heat resisting (at least 120°C) polyethylene wrapper. When polyethylene or vinyl wrappers with a low heat resisting property are used, they may at times melt making towels useless, dry or cause discoloration.
 Use basket	(12) Always place towels on the basket and then store in "HOTCABI." If not, wrapper could melt and make towels useless or cause discoloration.
 Forbidden	(13) Do not leave the same towel within the inner box for more than one day. It could be the cause of discoloration and bad odor.
 Eliminating moisture	(14) Wipe off moisture within the inner box as well as the body after use and remove any foreign substances. Leaving moisture or any substances inside will cause the discoloration and bad odor of towels. It will also lead to malfunctioning when used thereafter. (15) Empty drain tray frequently. Accumulation of water could lead to overflowing and cause bad odor.

In case the plastic part of "HOTCABI" is touched with oily hands or the unit is placed where oil is used in large quantities, make it a rule to wipe plastic parts daily with a soft cloth soaked in neutral detergent solution diluted with hot water and dry off with a soft cloth. Plastic parts could at times become deformed or crack under the influence of oils, etc.

5

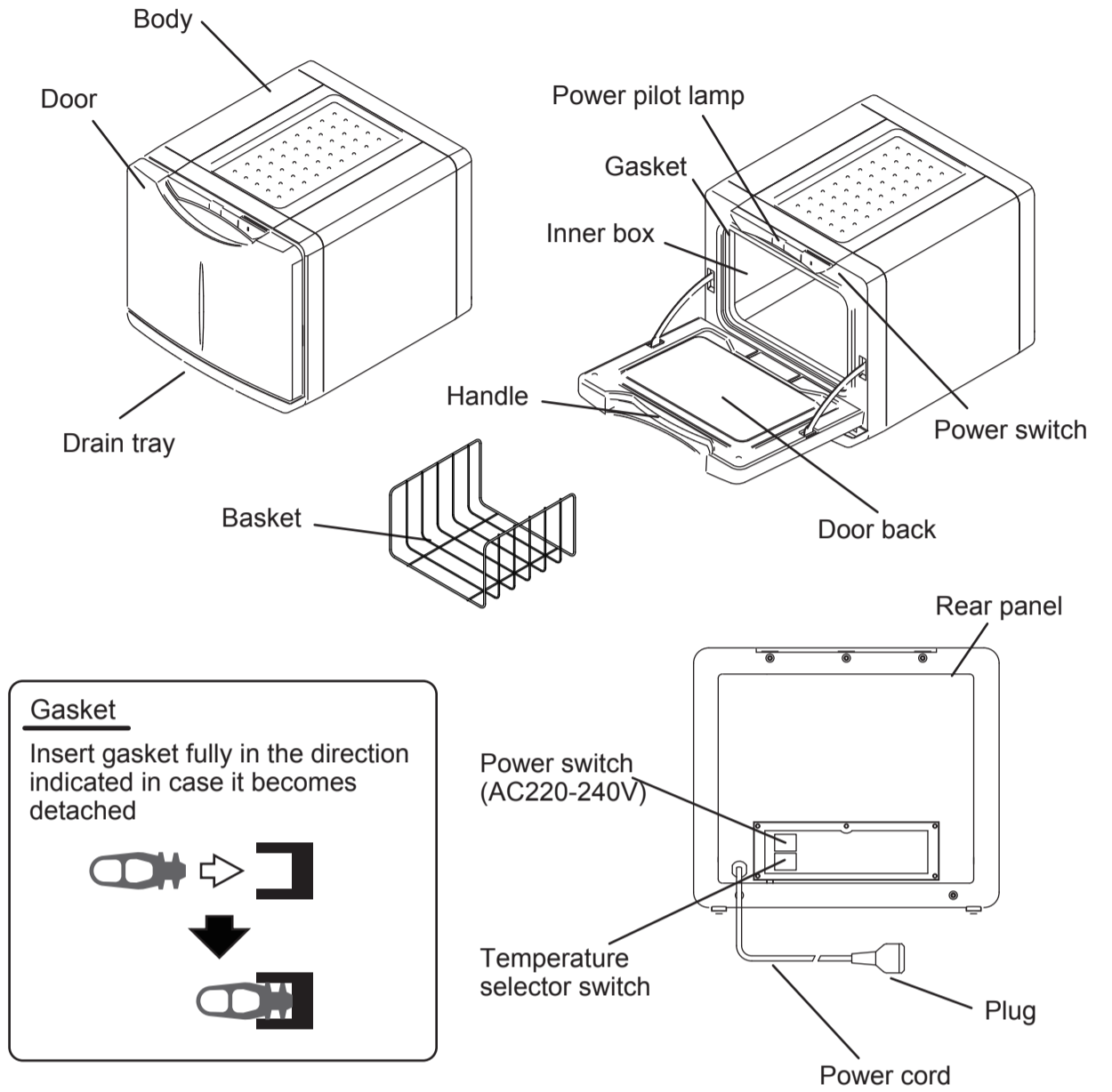
Purpose of Use

This product is an electric towel warmer for exclusive use indoors and is fabricated to warm wet towels. Should you wish to use it for any other purpose, please contact and consult with TAIJI & CO., LTD.

Operational Mechanism

This product is equipped with a heating element to keep towels within the cabinet warm. By thermostat, the temperature within the cabinet will be maintained at 60°C–70°C and at 70°C–80°C when set at L (low) and H (high), respectively.
(The above indicates the temperature at the center of the inner cabinet when room temperature is 25°C.)

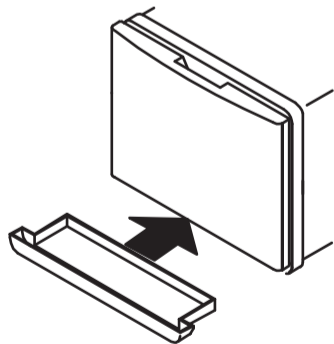
Designation of Parts



6

Checking Prior to Use and Setting

- Remove "HOTCABI" from packing carton and make sure that Instruction Manual and Accessories are included.
- Set "HOTCABI" as follows:
 - At a place where it is flat and stable.
 - At a place where it is not affected by heat. Avoid places where there is direct sunlight, and do not place near stoves, ranges, etc. (Keep "HOTCABI" away from such units by at least 50cm.)
 - Keep "HOTCABI" away from moist places or where it is susceptible to being splashed with water.
 - Leave a space between "HOTCABI" and whatever may be placed next to it and make sure there is space all around the unit to allow ventilation.
- Grounding
Ensure correct grounding is secured to protect against electric shock. Consult with your dealer for details.
- Affixing drain tray
Hold both sides of drain tray horizontally and push in until firmly inserted.
When water accumulates in the tray, remove and empty carefully.
Reinsert drain tray after being emptied.

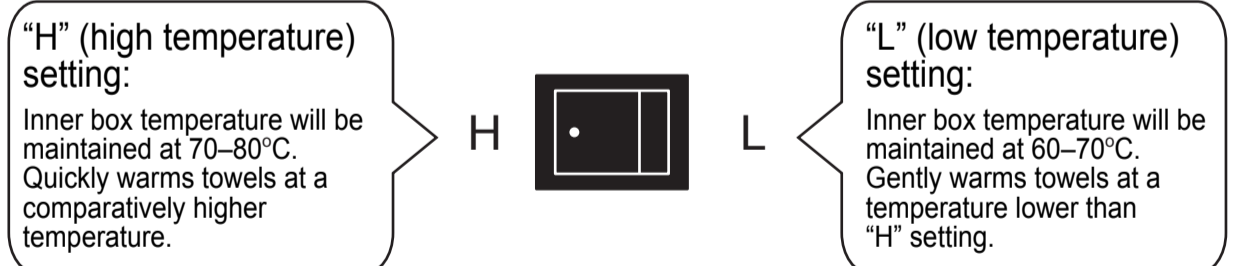


7

Sequence of Usage

Pre-use Instructions

- In case the inner box is moist or there are foreign substances on its surface, wipe clean with a dry towel, etc.
* Any remaining moisture, etc. could cause failure or malfunction.
- Insert basket in the inner box and place wet rolled towels on the basket.
* In the event the amount of towels put into the box is low, place them on the basket as flat and as far apart as possible.
* The interior of the cabinet becomes heated from the wall surface.
Place towels inside the cabinet so that they do not come into contact with such surfaces.
* When warm towels are needed in a hurry, please use towels that have been rolled after having been immersed in warm water.
* Put towels in heat resisting polyethylene wrap. If used without such wrapper, towels are apt to drying up quickly or becoming discolored.
- Set the temperature selector switch located on rear panel of "HOTCABI."



- * Use at "L" setting in case towels get too hot, dry up or are discolored at "H" setting.
- Close the door tightly and switch on. Power pilot lamp is lit and warming commences.
* Empty drain tray frequently should water accumulate.
* "HOTCABI" may at times emit a faint popping or clicking sound.
This sound comes from the thermostat function and is not the sign of failure of any sort.

Post-use Instructions

- Switch off and remove plug from electric outlet.
- Take out remaining towels and wipe inner box clean to remove residual moisture.
- Empty water accumulated in the drain tray. Wash clean when considerably stained.
- Stains on the main body should be wiped clean with a dry cloth or a tightly wrung wet cloth.
* Use a neutral detergent when stains are severe. Do not use cleansers containing abrasives or solvents such as paint solvents.
- Leave the door of the cabinet open for a while for moisture to dry as a means to prevent odors.

8