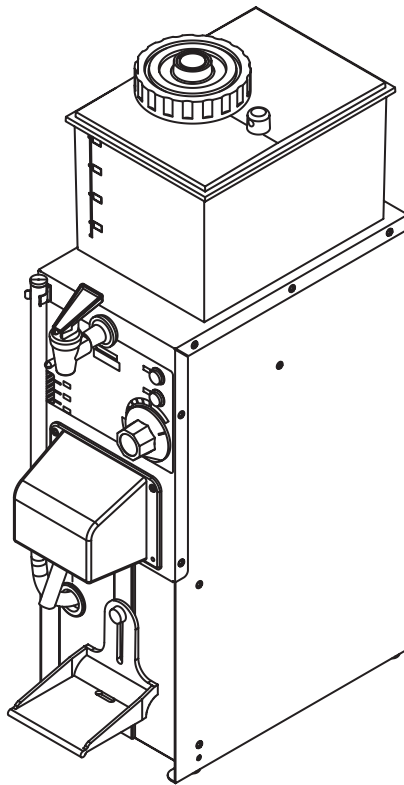


Operating Instructions

Sake Warmer

TS-2





TAIJI

CONTENTS

| | | | |
|--|---|--------------------------|----|
| Safety Precautions | 3 | After Use | 9 |
| Purpose of Use | 4 | After-Sale Service | 10 |
| Operation | 5 | Specifications | 10 |
| Names of Parts | 5 | Accessories | 10 |
| Inspection and Installation Before Use | 6 | | |
| Instructions for Use | 7 | | |

Caution:
Before attempting to operate this product, please read the label on the surface of the unit.

| | | |
|---|--|---|
|  | CAUTION RISK OF ELECTRIC SHOCK DO NOT OPEN |  |
| <p>CAUTION: TO REDUCE THE RISK OF ELECTRIC SHOCK, DO NOT REMOVE COVER (OR BACK). NO USER-SERVICEABLE PARTS INSIDE. REFER SERVICING TO QUALIFIED SERVICE PERSONNEL.</p> | | |



SA 1965

The lightning flash with arrowhead symbol, within an equilateral triangle, is intended to alert the user to the presence of uninsulated "dangerous voltage" within the product's enclosure that may be of sufficient magnitude to constitute a risk of electric shock to persons.



SA 1966

The exclamation point within an equilateral triangle is intended to alert the user to the presence of important operating and maintenance (servicing) instructions in the literature accompanying the appliance.

The serial number of this product may be found on the surface of the unit.

You should note the serial number of this unit in the space provided and retain this instruction as a permanent record of your purchase to aid identification in the event of theft.

Model No. _____

Serial No. _____

WARNING: To prevent fire or electric shock hazard, do not expose this appliance to rain or moisture. The apparatus shall not be exposed to dripping or splashing and that no objects filled with liquids, such as vases, shall be placed on the apparatus.

Safety Precautions

- Carefully read the Safety Precautions to correctly use the product.
- The Safety Precautions are for you to use the product safely and correctly, and to prevent danger and damage to you and others. The Safety Precautions are shown in two categories, Warning and Caution, to clearly show the degree of danger and damage which could be caused by wrong handling. Be sure to observe them all, which include important information on safety.
- Keep the Safety Precautions ready for reference after reading them.

WARNING

The following 11 items concern the possibility of the user's death or serious injuries if the user operates the product without observing the warnings or in the wrong way.

- (1) Install the product at a horizontal, stable place, and be sure to secure it with the fixing angle (an accessory).
- (2) Never disassemble, repair, or modify the product unless you are a repair mechanic. Otherwise, there is a possibility of fire or abnormal operation.
- (3) Be sure to ground the product
 - If your electrical outlet has no grounding terminal, ask your electrical appliances store to have it attached to the outlet. Improper grounding could cause electric shock.
 - Do not connect the grounding wire to a gas pipe or water pipe.
- (4) Do not dip the product in water, or expose it to water. There is a possibility of a shortcircuit or electric shock.
- (5) Periodically check that the power plug blades and their surfaces are free of dust, and insert the plug into an electrical outlet all the way so it will not be loose. Dust on the power plug or its imperfect connection could cause electric shock or fire.
- (6) Keep the power cord free of damage. Binding the power cord, placing a heavy object on it, or pinching it may damage the cord, possibly causing electric shock or fire.
Keep the power cord away from a heat source.
- (7) Do not use the product outdoors.
Use of the product at a place exposed to rains could cause electric leak or shock.
- (8) If you wish to dispose of the product as waste, ask an official organization or your dealer to do so. (You may be charged for its disposal.)
Abandoning the product could cause an accident from its modification or use for other than the purpose of sake warming by a third party.

- (9) Be sure to use an electrical outlet of the rating of AC110-120V 15A or AC220-240V 7.5A (minimum). Do not use a double socket or a branched socket to avoid overheat or fire.
- (10) If you intentionally bend the power plug blades to make the plug tight in an electrical outlet, it could cause a fire due to faulty contact.
- (11) Do not leave the product to be used by children alone. Do not use it within reach of infants. This is important to avoid burns, electric shock, and injuries.

CAUTION

The following items (1) to (14) concern the possibility of injuries to the user or material damage if the user operates the product without observing the cautions indicated therein.

- (1) When you pull out the power plug, be sure to hold the plug itself, not the cord. Pulling out the plug by the cord could cause electric shock, shortcircuit, or fire.
- (2) Do not touch or use the power plug, power switch, or other electric parts with a wet hand. It could cause electric shock.
- (3) Do not drop the product, or subject it to strong shock. It could cause trouble or fire.
- (4) Dispose of the packing plastic bag as soon as you have taken the product out of it. Do not leave it within reach of children. This is important to prevent suffocation.
- (5) Keep the power plug out of your electrical outlet when the product is not in use. Keeping it plugged in could cause electric shock or a fire due to electric leakage.
- (6) Do not use the product if the power cord plug is damaged, or is loose in the electrical outlet. Otherwise, there is a possibility of a shortcircuit or electric shock or fire.
- (7) Do not use the product for other than Japanese sake. Otherwise, the product could fail due to a burn or corrosion, for example.

- (8) Be careful of changes in sake warming temperature, which is subject to change depending on sampling frequency and sake temperature. Continual sampling will gradually lower sake warming temperature.
- (9) Be careful of the water level meter for the warming tank. Sake warming performance will fall if the water level meter indicates a level below normal, causing your sake to be too hot or the product to shorten its life.
- (10) Be careful of the temperature of the machine during use because it becomes hot. Also take care not to burn yourself with hot sake (or water) from the nozzle during dispensing.
- (11) Discharge remaining sake from the machine after use. If sake remains in the machine after use, it changes in color. Discharge sake and clean the machine inside.
- (12) Change the water in the warming tank about once a month. If the water is kept used for long without changing it, the water could develop fur, which would be unsanitary, machine performance might be adversely affected, or it would become difficult to watch the water level meter. Changing the water in the tank immediately after use is dangerous because the hot water will be discharged from it. Be sure to wait for the machine to cool before changing the water.
- (13) Lightning, direct or induced, could break down the machine with an abnormal current or voltage through the power line. If a thunder is heard, pull out the power plug from the electrical outlet.
- (14) If you notice a foul odor from the machine, simply pull out the power plug and ask your dealer or Taiji for after-sale service.

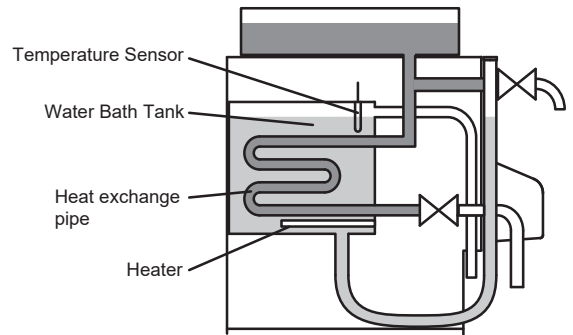
Purpose of Use

This product is a sake (Japanese sake) warmer for indoor use which will warm sake to your desired temperature for best appreciating it. Do not use the product for any other purposes.

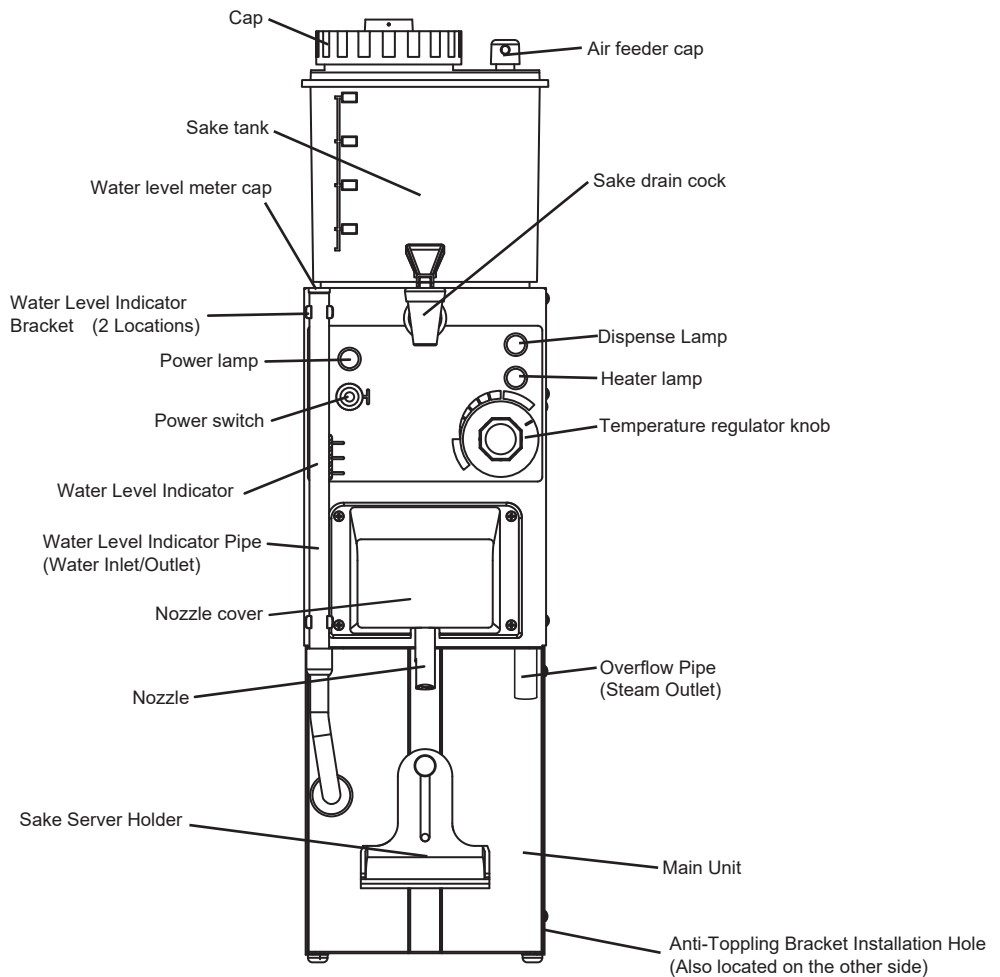
Operation

The product is an indirect heating type electric sake warmer in which the water in the warming tank is heated by a heater and in which sake flows through the titan heat-exchanger pipe heated by the water.

Warming temperature is adjusted by controlling the warming tank temperature with a temperature regulator.



Names of Parts

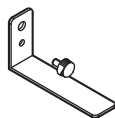


Accessories

Filter (spare)



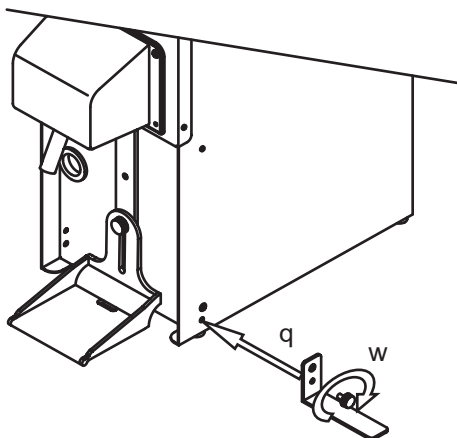
Funnel



Anti-Topping Brackets (2 pieces)

Inspection and Installation Before Use

1. Take the product out of the package, and check the manual for operating instructions, and accessories.
2. Install the product at a place which meets the following conditions.
 - Horizontal and stable
 - Well-ventilated
 - Free from heat effects. Avoid exposure to direct sunlight, near a gas heater, gas range, or other heat source. (Keep the product at least 50 cm away from the above heat sources.)
 - Free from high humidity and exposure to water
3. Attaching the fixing angles
Be sure to attach the fixing angles to the machine to prevent it from falling.



How to attach the fixing angles

- q Hold the fixing angle in such a way that its holes are in line with the corresponding holes on the side of the machine.
- w Tighten an accessory screw in the bottom hole.
- e Repeat the same on the other side.

4. Grounding

Be sure to ground the machine to prevent electric shock.

Ask your dealer for details. Before connecting or disconnecting the grounding wire, be sure to pull out the power plug from the electrical outlet.

Outlet with a grounding terminal

Check that the grounding wire (green) is fixed securely to the machine before connecting its end to the grounding terminal of the electric outlet.

Outlet without a grounding terminal

Ask your dealer for the required Class 3 grounding. (In this case, grounding must be done by a qualified electrician.)

Do not connect the grounding wire to any of the following. (Prohibited by law)

- Gas pipe: Danger of explosion or ignition
- Telephone wire or lightning arrester: Danger of lightning
- Water pipe: PVC pipe may be used somewhere in your water pipeline.

5. Cleaning inside

The product is already cleaned inside before shipment. When you are going to use it for the first time, however, clean it according to the following procedures.

- q Push the power plug into an electrical outlet, and flip the power switch up to switch the machine on.
- w Check that the sake drain cock and the nozzle are in the closed position, then pour hot water (about 70°C) into the sake tank. Exercise care in pouring hot water.
- e Discharge about half of the hot water from the sake drain cock. Push the nozzle in to discharge the remaining hot water. When there is no longer hot water to be discharged, pull the nozzle toward yourself and switch power off.

Instructions for Use

* Read [Inspection and Installation Before Use], page 6, and install the machine properly before using it.

Preparations

1. Insert the power plug into an electrical outlet.
2. Check the water level meter pipe that it is fixed.
3. Check the water level meter for the level of water in the sake warming tank. If there is not enough water, or no water at all, remove the cap from the water level pipe, insert the accessory funnel into the pipe, and pour water into it till the water reaches the normal level of the water level meter (Figure 1). After filling the tank with water, put the cap back on the pipe.
 - The sake warming tank has a water capacity of about 2.4 liters.
 - When filling the tank, pour water little by little because too much water into the funnel all at once may cause overflow.
 - If water is supplied above the upper limit of the water level meter, the water will overflow. Make sure that water is up to the normal level.
4. Adjust the server bottle tray to the height of the server bottles to be used (Figure 2). After adjusting it, pull the nozzle toward yourself.
 - The server bottle tray is at the right height if the tip of the nozzle drops about 2 cm into the server bottle (Figure 3).

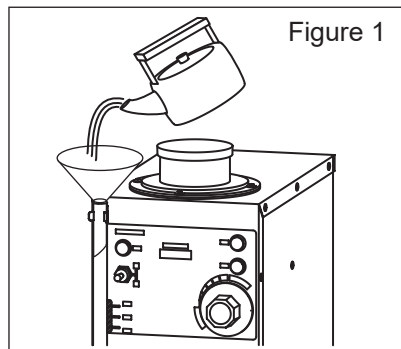


Figure 1

☒ The illustrated machine differs in some specifications.

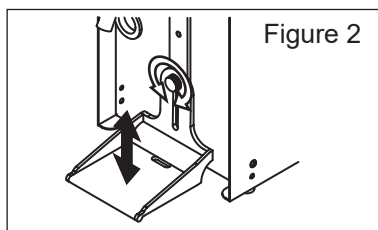


Figure 2

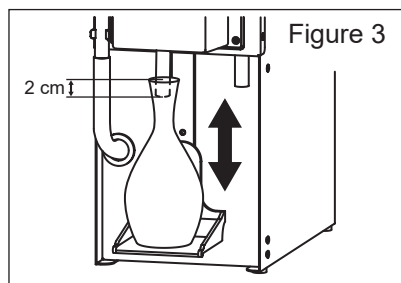


Figure 3

5. Remove the cap from the sake tank and fill it with sake (Figure 4) until sake level is somewhere between the minimum (0.5 liter) and the maximum (3.6 liters).
 - Check the sake drain cock that it is closed (as shown in the figure below) before filling the tank with sake. Unless the sake drain cock is closed, sake will run out of the cock.
 - The capacity indicators in liters on the sake tank are approximate.
 - After filling the tank with sake, be sure to put the cap back on.

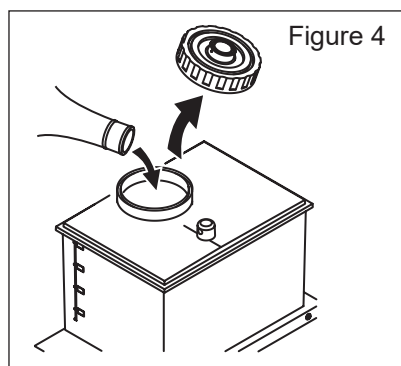


Figure 4

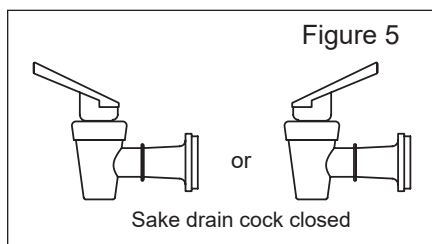
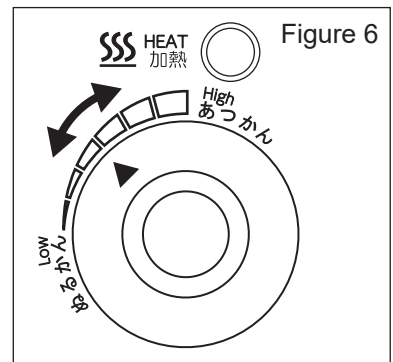


Figure 5

Sake drain cock closed

6. Switch power on and turn the temperature knob to your desired temperature position. (Figure 6)

- One graduation corresponds to about 4°C.
- If a temperature higher than the sake warming tank is set, the heater lamp lights, indicating that the heater begins to heat. The heater lamp goes out when the temperature reaches the set level.
- If you are using the machine for the first time, it may take time before sake is ready to be dispensed. Or, after cleaning the machine inside, remaining water may be discharged with sake. It is recommended, therefore, that you dispense a small quantity of sake, partly for checking the temperature.
- Remember that, if you are dispensing sake continually or if you using the machine in winter, you may find the sake temperature lower than desired.



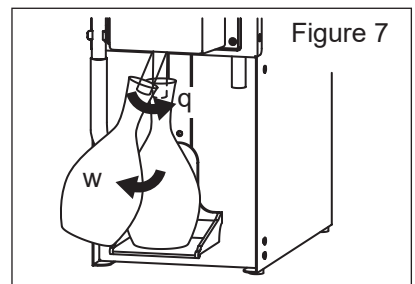
Sake dispensing method

1. When the heater lamp goes out, insert the nozzle into your server bottle, and push the bottle into place on the tray. (Figure 7-q)
The sake dispensing lamp lights and sake begins to run out of the nozzle.

- If you dispense sake while the heater lamp is on, you may be unable to dispense sake at your desired temperature. If the heater lamp lights while you are dispensing sake, wait for the heater lamp to go out before filling your next server bottle.

2. When the sake dispensing lamp goes out, it indicates that the server bottle is filled with sake. Take the bottle out from the tray by pulling the nozzle toward yourself. (Figure 7-w)

- Remember that, unless the nozzle is pulled, you won't be
- Be careful of a hot server bottle.



Sake discharging method

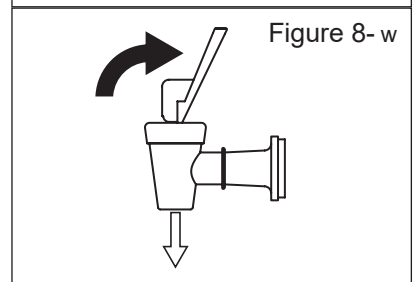
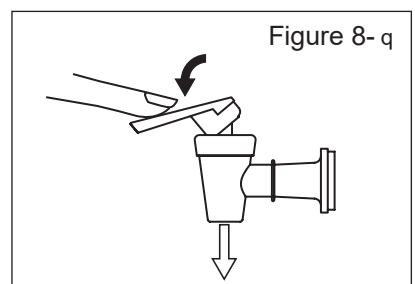
☒ This product is so designed that you can discharge sake from the sake tank through the sake drain cock.

q Sake is discharged from the sake tank as long as the sake drain cock is kept depressed (as shown in Figure 8-q).

- In this case, sake is discharged from the sake tank or elsewhere in the machine through the drain cock, and may vary in temperature depending on the duration of use of the machine, the remaining quantity of sake, set temperature, etc.

w The sake drain cock can be locked (as shown in Figure 8-w) to keep dispensing sake from the sake tank until it is unlocked.

- Be sure to return the cock to the closed position (Figure 5).
- In this case, sake is discharged from the sake tank or elsewhere in the machine through the drain cock, and may vary in temperature depending on the duration of use of the machine, the remaining quantity of sake, set temperature, etc.

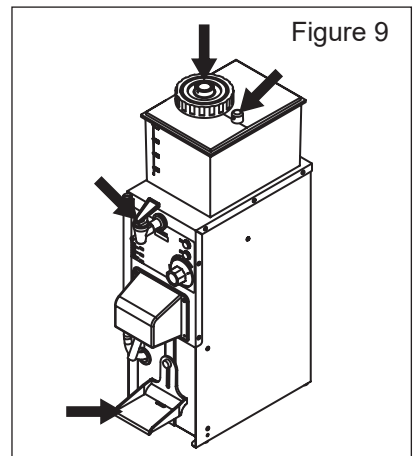


After Use

1. Discharge sake from the machine.

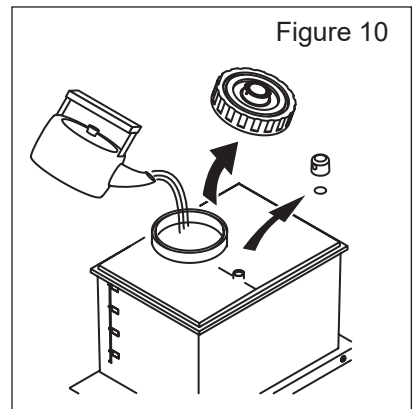
- (1) Have a container ready, and discharge the sake out of the sake tank through the sake drain cock into the container. When the sake tank is empty, return the sake drain cock to the closed position. (See the sake discharging method on page 8.
- (2) Push the nozzle to discharge all the remaining sake out of the tank. When the tank is empty, pull the nozzle toward yourself and switch power off. (You may use the sake discharged from the machine for cooking purposes, etc.)

2. Remove the removable parts and clean them. Place the cleaned parts back into place. (Figure 9)



3. Clean the sake tank and inside the machine.

- (1) Pour hot water (about 70°C) into the sake tank from a kettle, for example, and clean the sake tank inside. (Figure 10)
 - Check that the sake drain cock is in the closed position (Figure 5, page 7, then before pouring hot water into the sake tank.
 - Be careful when pouring hot water.

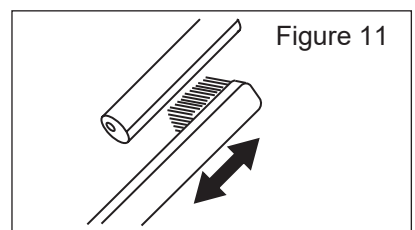


- (2) Discharge about a half of the hot water from inside through the sake drain cock into a vessel, for example.

- (3) Switch power on, push the nozzle in to discharge the hot water in a vessel, for example, and clean the tank inside.

- (4) Pull the nozzle toward yourself, put the cap back on the tank, and switch power off.

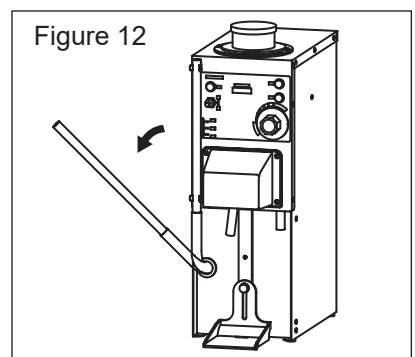
4. A dirty nozzle may cause a malfunction. Clean the nozzle with a toothbrush, for example, dipped in hot water.



5. Wipe the machine with a dry soft cloth, or a soft cloth dipped in water and squeezed tight. If the nozzle is very dirty, wipe it with a soft cloth dipped in a solution of neutral kitchen detergent and squeezed tight. Do not use paint thinner, benzene, or other solvents.

6. Before discharging hot water from the tank, make sure that the machine is cool and that the water level pipe is removed from the water level meter clamps, and is pulled toward yourself. Exercise care because the hot water will shoot out of the tip of the water level meter. (Figure 12) When all the hot water is discharged, return the pipe to its original position and put the cap back on it.

- Change the water in the sake warming tank about once a month.



☒ The illustrated machine differs in some specifications.

After-Sale Service

- For after-sale service, ask your dealer or Taiji & Co., Ltd.
- Components and parts of this product will be available for five years after the production of this product has ceased.

For your direct contact with

Taiji & Co.: 8-2, Okawa-cho, Kawasaki-ku, Kawasaki, 210-0858, Japan
Telephone: +81-44-329-6338
E-Mail: overseas@taiji.co.jp

Specifications

| | |
|---------------------|---|
| Rated voltage | Single-phase 110-120V or 220-240V, 50/60 Hz |
| Power consumption | 600 W |
| Temperature control | Variable thermostat |
| Heating | Indirect heating |
| Sake tank capacity | 3.6 liters |
| Sake outlet | Single |
| Dispensing method | Auto stop (Sake level detecting) |
| Water tank capacity | 2.4 liters |
| Safety device | Line fuse |
| Dimensions | 160 mm (wide), 345 mm (deep), 625 mm (high) |
| Weight | 6.7 k g |

Accessories

| | |
|--------------------------|-------|
| Filter (spare) | 1 pc |
| Server bottle tray | 1 pc |
| Funnel | 1 pc |
| Fixing angle | 1 set |

The specifications and external view are subject to partial change for improvement without notice.

Please access the Home page of Taiji & Co., Ltd. at the following address.
<http://www.taiji.co.jp/>

TAIJI & CO., LTD.

Kawasaki, Japan

(2210A)
Printed in Japan